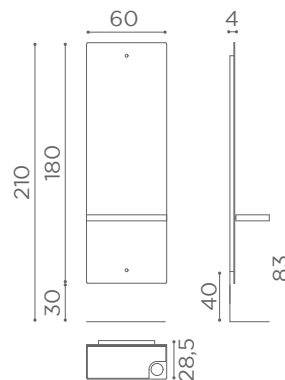
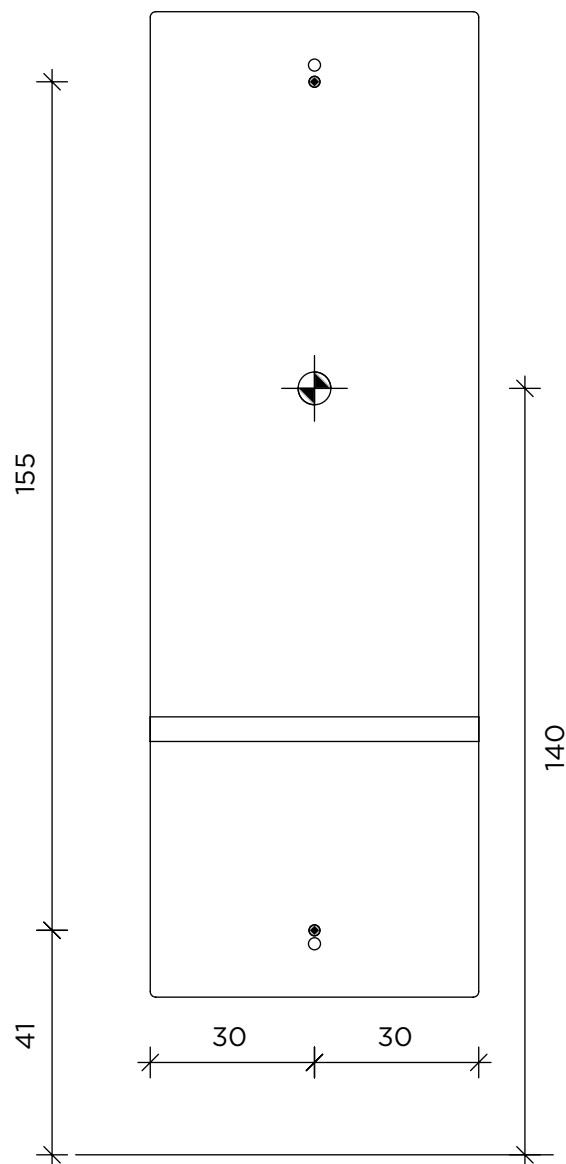
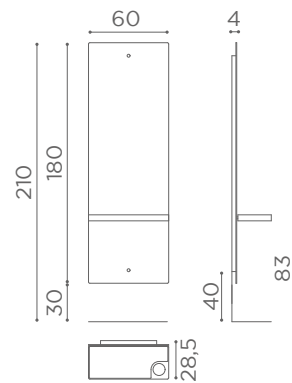
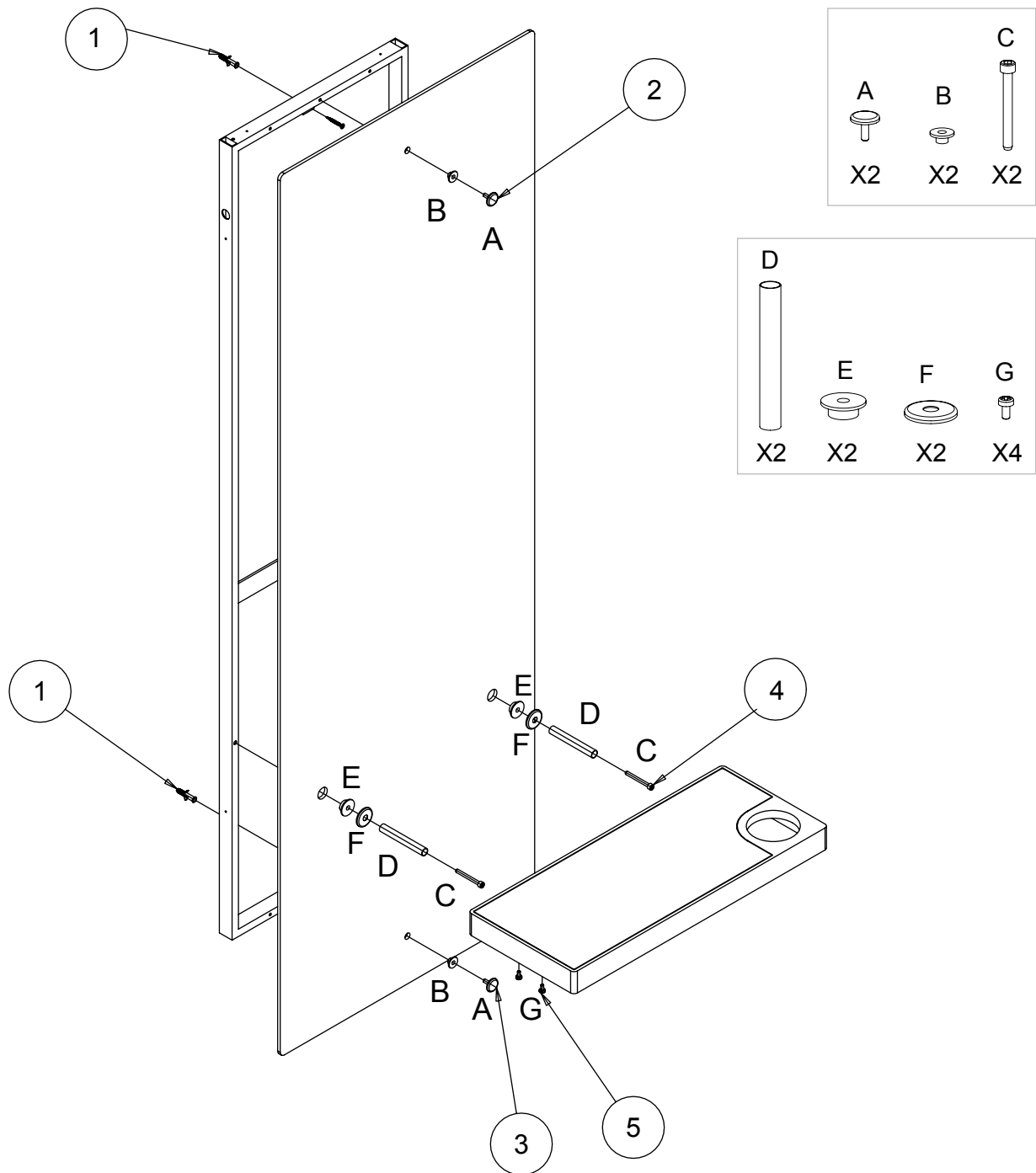


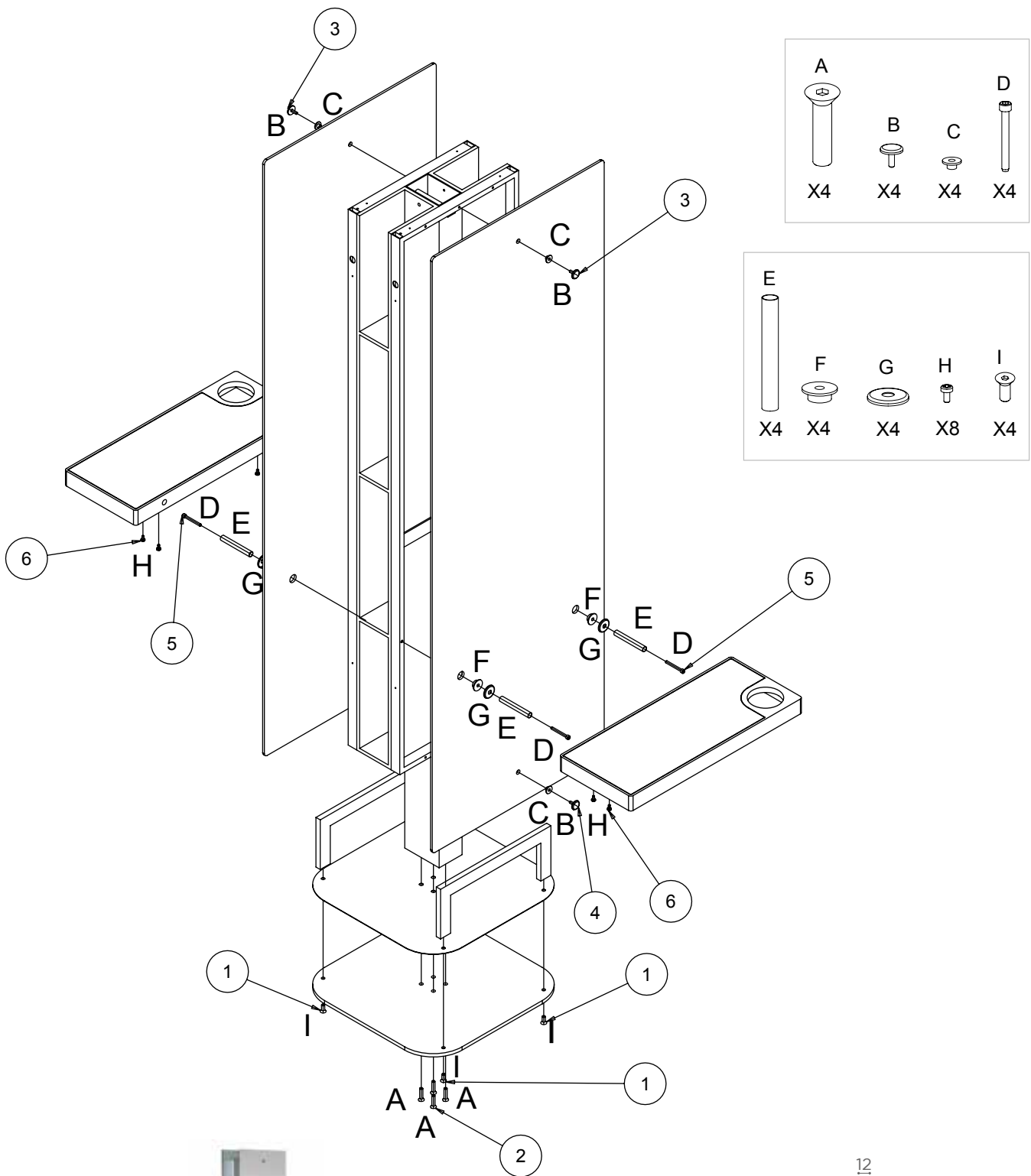
● Fissaggio a parete / Wall fixing  
220-240VAC 50/60Hz 36W



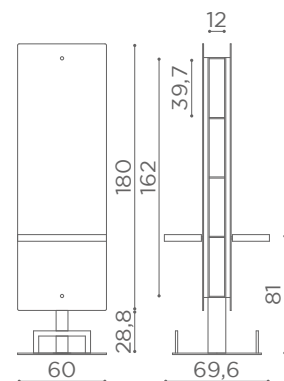


# Lunar Island

*Salon Ambience*  
100% MADE IN ITALY



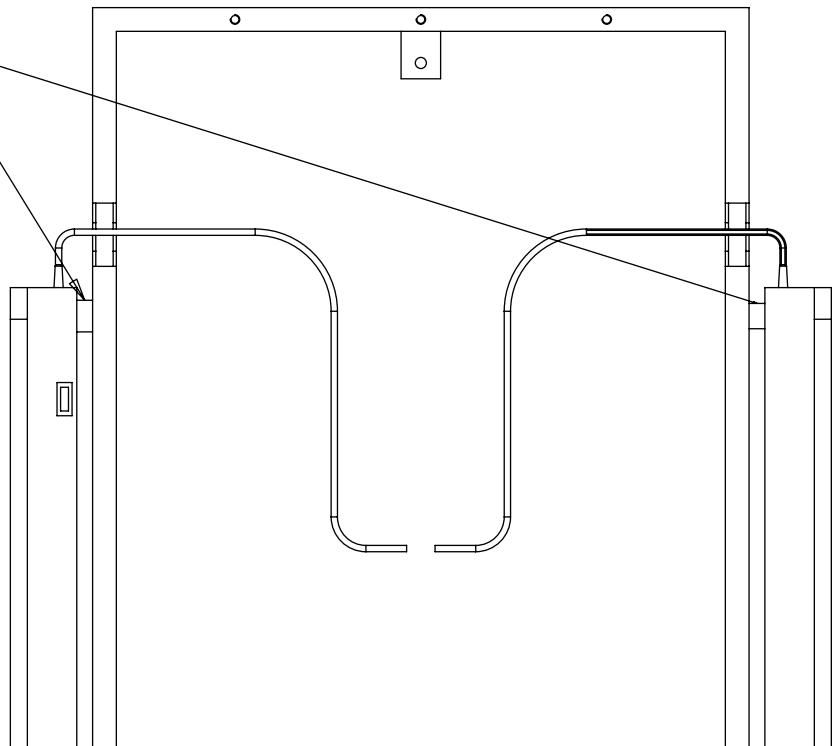
MI/372-07

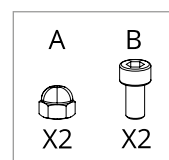
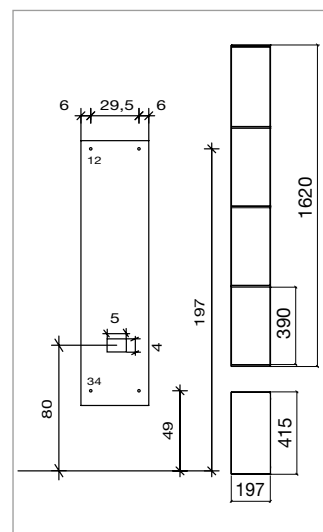
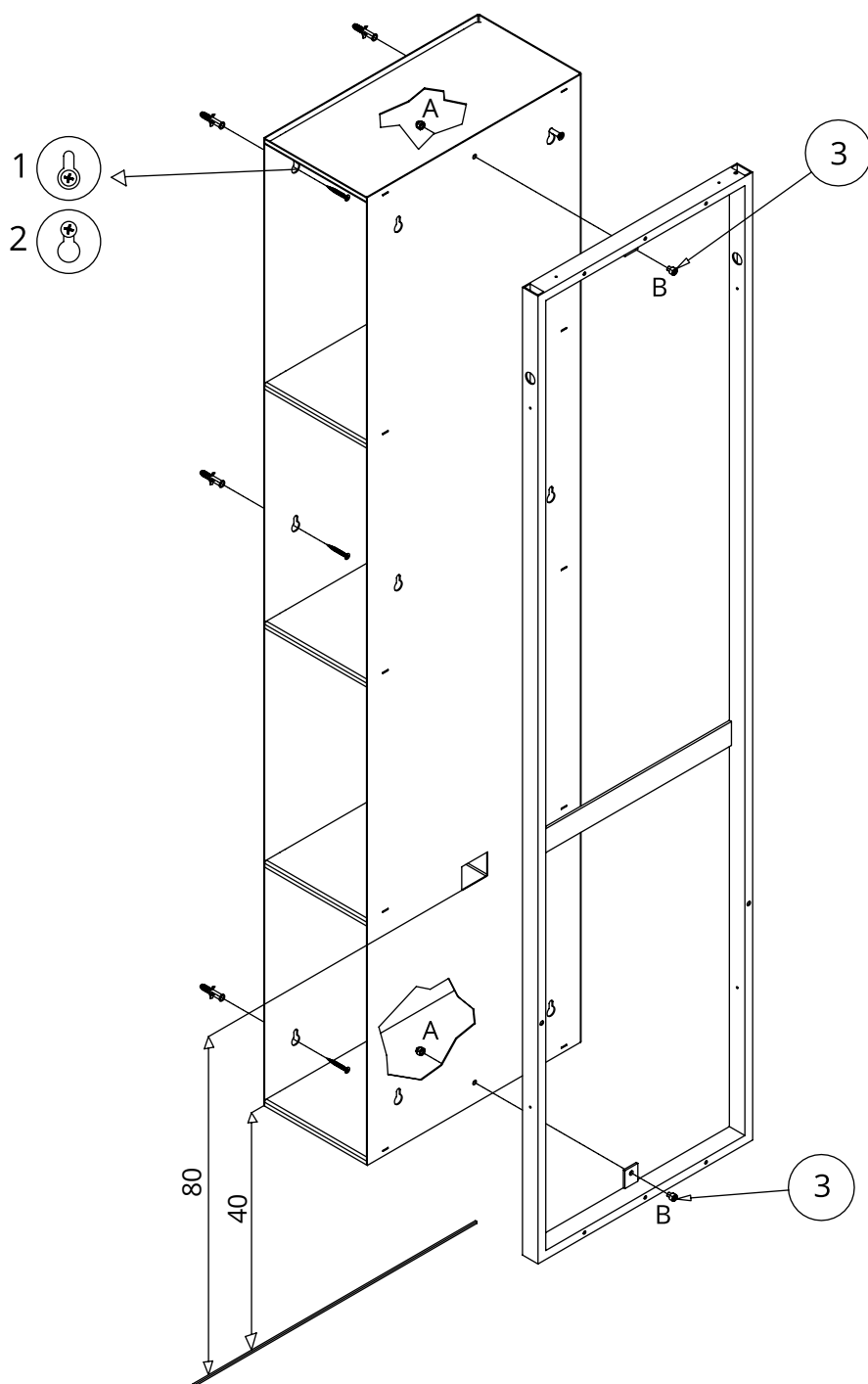


## SCHEMA FISSAGGIO LED ASSEMBLY INSTRUCTIONS, LED LIGHT

BIADESIVO

DOUBLE-SIDED  
TAPE





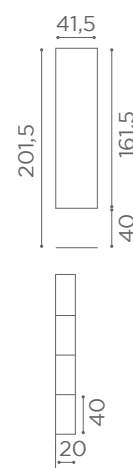
Server ST/033



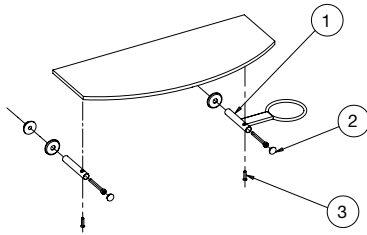
Lyon MI/050



Lunar MI/370-07



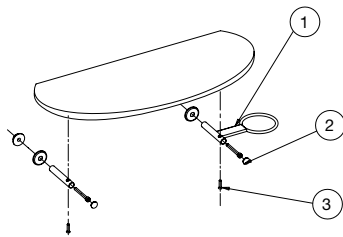
## COMBINATIONS



GLASS -01

FII  
MI/030  
LYON  
MI/050  
LYON ISLAND  
MI/052  
PLATINUM  
MI/150  
PRECIOUS  
MI/320  
LUNAR

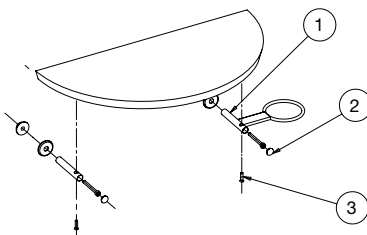
MI/370  
LUNAR ISLAND  
MI/372  
COSMOS  
MI/420  
COSMOS ISLAND  
MI/422  
SPACE  
MI/440  
TREASURE  
MI/450



BLACK  
GLASS -02

FII  
MI/030  
LYON  
MI/050  
LYON ISLAND  
MI/052  
PLATINUM  
MI/150  
PRECIOUS  
MI/320  
LUNAR

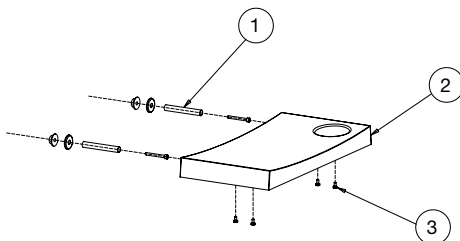
MI/370  
LUNAR ISLAND  
MI/372  
COSMOS  
MI/420  
COSMOS ISLAND  
MI/422  
SPACE  
MI/440  
TREASURE  
MI/450



ROUND  
ALUMINIUM -05

FII  
MI/030  
LYON  
MI/050  
LYON ISLAND  
MI/052  
PLATINUM  
MI/150  
PRECIOUS  
MI/320  
LUNAR

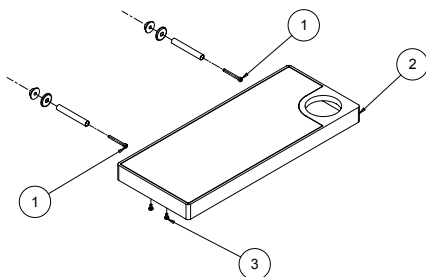
MI/370  
LUNAR ISLAND  
MI/372  
COSMOS  
MI/420  
COSMOS ISLAND  
MI/422  
SPACE  
MI/440  
TREASURE  
MI/450



ALUMINIUM -06

FII  
MI/030  
LYON  
MI/050  
LYON ISLAND  
MI/052  
PLATINUM  
MI/150  
PRECIOUS  
MI/320  
LUNAR

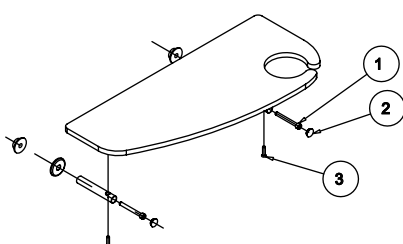
MI/370  
LUNAR ISLAND  
MI/372  
COSMOS  
MI/420  
COSMOS ISLAND  
MI/422  
SPACE  
MI/440  
TREASURE  
MI/450



ALUMINIUM  
+ MIRROR -07

FII  
MI/030  
LYON  
MI/050  
LYON ISLAND  
MI/052  
PLATINUM  
MI/150  
PRECIOUS  
MI/320

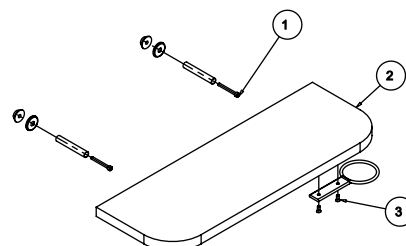
LUNAR  
MI/370  
LUNAR ISLAND  
MI/372  
COSMOS  
MI/420  
COSMOS ISLAND  
MI/422  
SPACE  
MI/440



GLASS -02

NEW YORK  
NEW YORK ISLAND

MI/520-10  
MI/522-10



VINTAGE  
WOOD

NEW YORK  
NEW YORK ISLAND

MI/510-09  
MI/512-09