

# Salon Ambience

100% MADE IN ITALY   

## Icon reclining: Hairdressing chair



IN PHOTO COLOUR: VINTAGE WINE K7

*Le immagini sono fornite al solo scopo illustrativo e non costituiscono elemento contrattuale*

The Icon takes a best-selling style in an amazing new direction! The squared, minimalist form of this styling chair has been smoothed and rounded to create a softer, more accommodating look for the work area, while still retaining an elegant, professional appearance. The Icon is available in a choice of Skai® Colours, either one or two-tone, at no extra cost. The Icon is also available with a reclining mechanism.

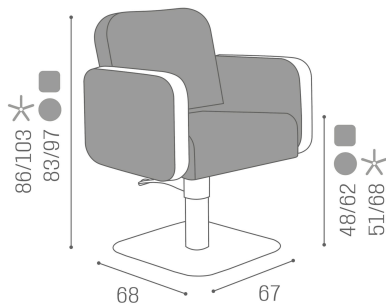
### ARTICOLI

All Salon Ambience chairs are available in three bases (star, round and square) and with swivel column, gas and pump with brake. The pump is 100% Made in Italy and is guaranteed for 5 years!

CH/071-4 Icon chair with star base, pump with brake, reclining  
CH/071-4/R Icon chair with round base, pump with brake, reclining  
CH/071-4/S Icon chair with square base, pump with brake, reclining  
CH/071-44 Icon chair with star base, pump with brake and wheels, reclining

### MATERIALS

Internal structure in wood, foam and Skai®



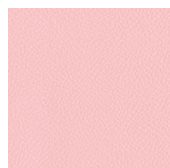
Colours: A  B 



All Salon Ambience products are available in a wide choice of colours at no extra cost!



All Salon Ambience products are available in a wide choice of colours at no extra cost!



pretty pink 27



black coffee 59



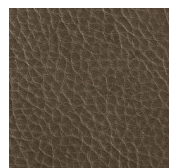
hot chocolate 60



milk 61



tea 62



cappuccino 63



espresso 64



light grey G5



# Salon Ambience

100% MADE IN ITALY 

Via Lazzaretti 12 - 42122 - Reggio Emilia - Italy  
 Salon Ambience Italia - +39 0522 276740  
 International Sales - +39 0522 276755  
 Numero verde - 800 144552  
 Fax - +39 0522 276767  
 E-mail: info@salonambience.com

<https://www.facebook.com/salonambiencegroup>  
<https://www.instagram.com/salonambiencegroup/>  
[https://www.youtube.com/channel/UCqTdWM-4\\_65Tr0Jul82kSCQ](https://www.youtube.com/channel/UCqTdWM-4_65Tr0Jul82kSCQ)